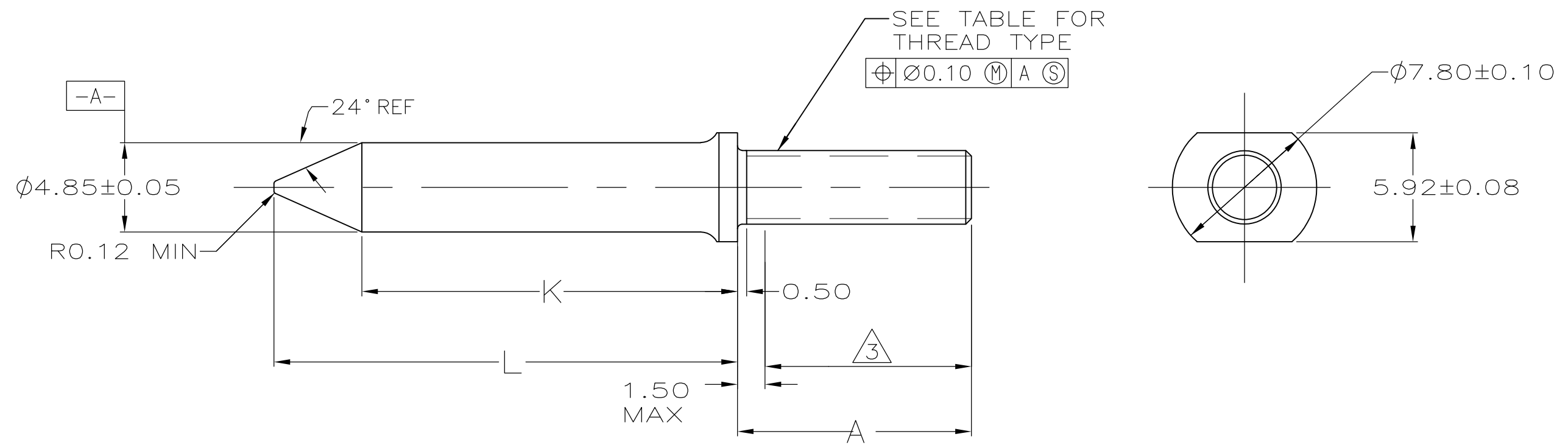



THIS DRAWING IS UNPUBLISHED. RELEASED FOR PUBLICATION
 © COPYRIGHT - By - ALL RIGHTS RESERVED.

LOC	DIST	REVISIONS			
P	LTR	DESCRIPTION	DATE	DWN	APVD
AD	47	G3	REV PER ECR-15-012700	28AUG2015	ML SZ

- ① MATERIAL: STAINLESS STEEL.
- ② FINISH: PASSIVATE.
- ③ LOCTITE DRI-LOC 204 APPLIED IN THIS AREA.
- ④ RECOMMENDED P.C. BOARD DRILLED HOLE IS "B" DIAMETER.



31.25	26.48	4.25 ± 0.08	12.7	8-32 UNC 2A	1-223969-0
25.16	20.39	4.10 ± 0.08	9.2	M4 X 7-6G	223969-7
25.16	20.39	4.25 ± 0.08	12.7	8-32 UNC 2A	223969-4
25.16	20.39	4.10 ± 0.08	12.7	M4 X 7-6G	223969-1
L	K	④ "B" DIA	A	THREAD TYPE	PART NUMBER

THIS DRAWING IS A CONTROLLED DOCUMENT.		DWN J.LOCONDRO 27MAR97	 TE Connectivity				
DIMENSIONS: mm		CHK R.W.ELICKER 27MAR97					
TOLERANCES UNLESS OTHERWISE SPECIFIED:		APVD D.SINISI 27MAR97	NAME				
0 PLC ± - 1 PLC ± - 2 PLC ± 0.13 3 PLC ± - 4 PLC ± - ANGLES ± 2°		PRODUCT SPEC	GUIDE PIN, UNIVERSAL POWER MODULE				
MATERIAL		FINISH	APPLICATION SPEC	SIZE	CAGE CODE	DRAWING NO	RESTRICTED TO
①		② ③	—	—	A300779	C-223969	—
CUSTOMER DRAWING			WEIGHT	—	SCALE	4:1	SHEET 1 OF 1
			REV	G3			